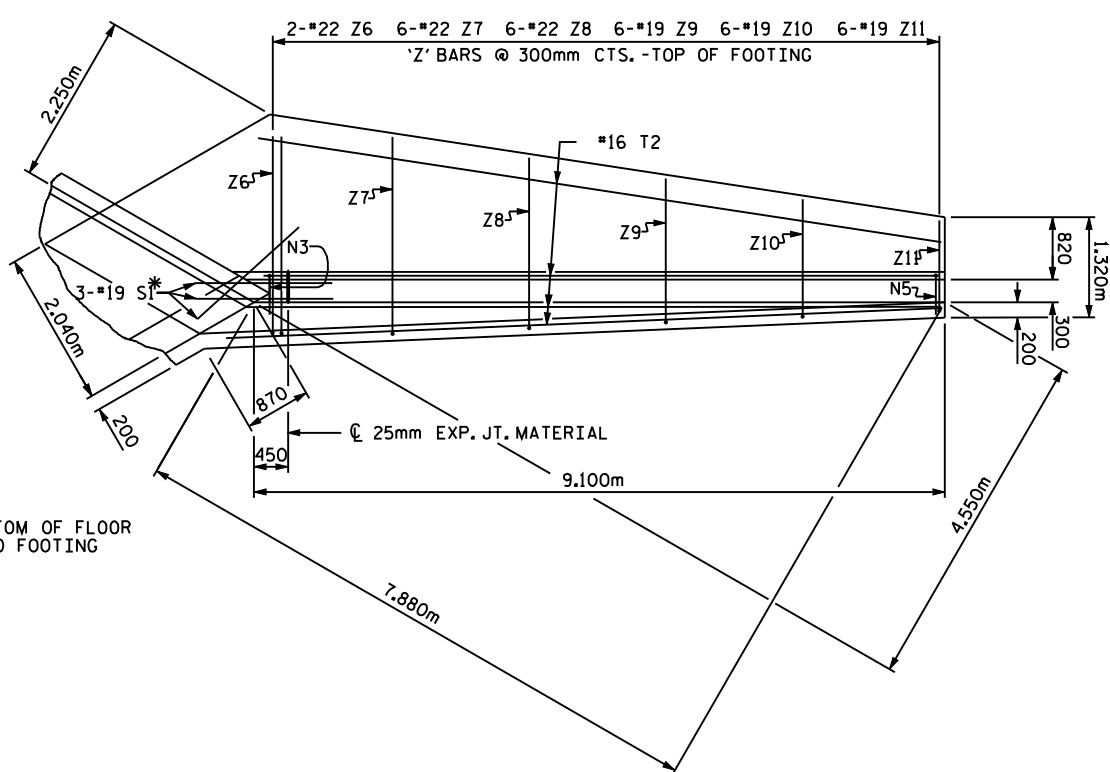
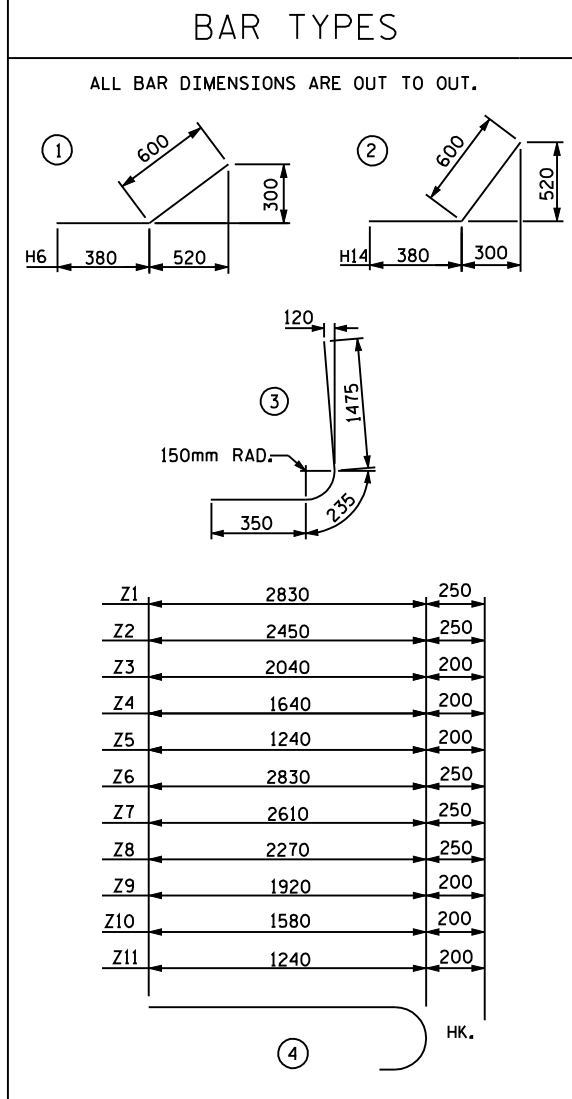


PLAN W2



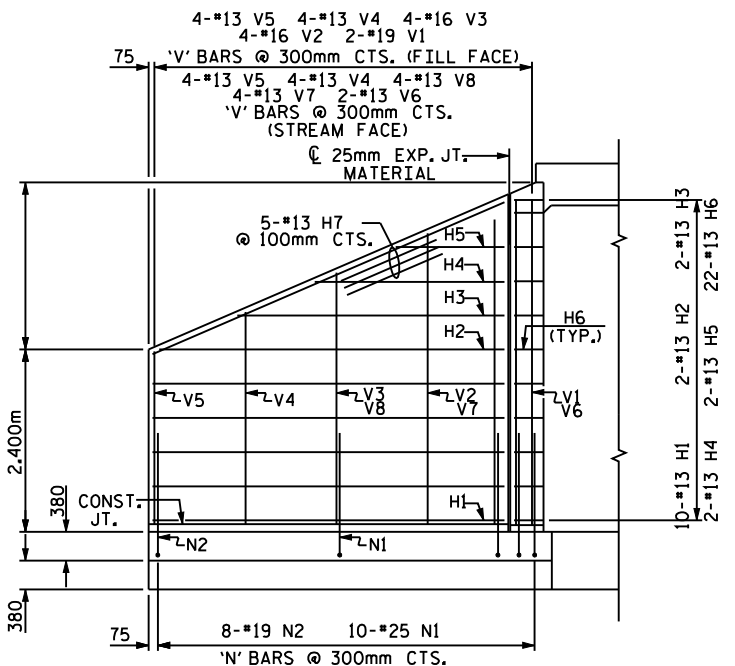
PLAN W1



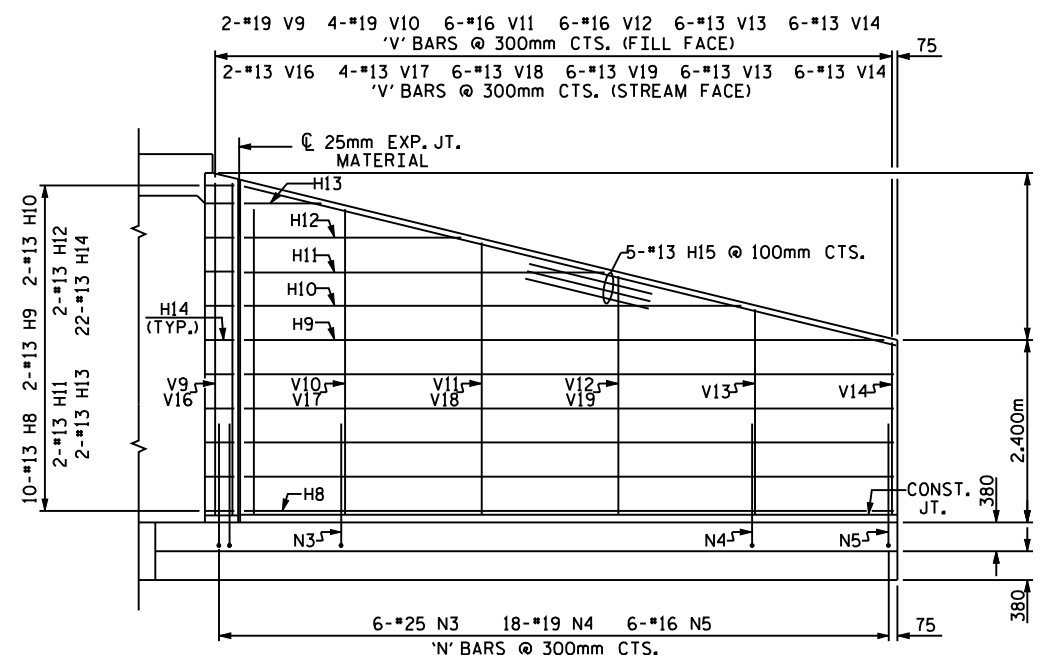
Z1	2830	250
Z2	2450	250
Z3	2040	200
Z4	1640	200
Z5	1240	200
Z6	2830	250
Z7	2610	250
Z8	2270	250
Z9	1920	200
Z10	1580	200
Z11	1240	200

BAR NO.	SIZE	TYPE	LENGTH	WEIGHT	
H1	20	13	STR	4640	92
H2	4	13	STR	4560	18
H3	4	13	STR	3520	14
H4	4	13	STR	2460	10
H5	4	13	STR	1420	6
H6	44	13	1	980	43
H7	10	13	STR	5040	50
H8	20	13	STR	8540	170
H9	4	13	STR	8460	34
H10	4	13	STR	6620	26
H11	4	13	STR	4800	19
H12	4	13	STR	2980	12
H13	4	13	STR	1140	5
H14	44	13	2	980	43
H15	10	13	STR	8780	87
N1	20	25	3	2060	164
N2	16	19	3	2060	74
N3	12	25	3	2060	98
N4	36	19	3	2060	166
N5	12	16	3	2060	38
S1	12	19	STR	1800	48
T1	8	16	STR	5200	65
T2	8	16	STR	9100	113
V1	4	19	STR	4320	39
V2	8	16	STR	3820	47
V3	8	16	STR	3320	41
V4	16	13	STR	2800	44
V5	16	13	STR	2280	36
V6	4	13	STR	4320	17
V7	8	13	STR	3820	30
V8	8	13	STR	3320	26
V9	4	19	STR	4340	59
V10	8	19	STR	4040	72
V11	12	16	STR	3600	67
V12	12	16	STR	3160	59
V13	24	13	STR	2720	64
V14	24	13	STR	2260	54
V15	4	13	STR	4340	17
V16	8	13	STR	4040	32
V17	12	13	STR	3600	43
V18	12	13	STR	3160	38
Z1	4	22	4	3080	37
Z2	8	22	4	2700	66
Z3	8	19	4	2240	40
Z4	8	19	4	1840	33
Z5	8	19	4	1440	26
Z6	4	22	4	3080	37
Z7	8	22	4	2860	70
Z8	12	22	4	2520	92
Z9	12	19	4	2120	57
Z10	12	19	4	1780	48
Z11	12	19	4	1440	39

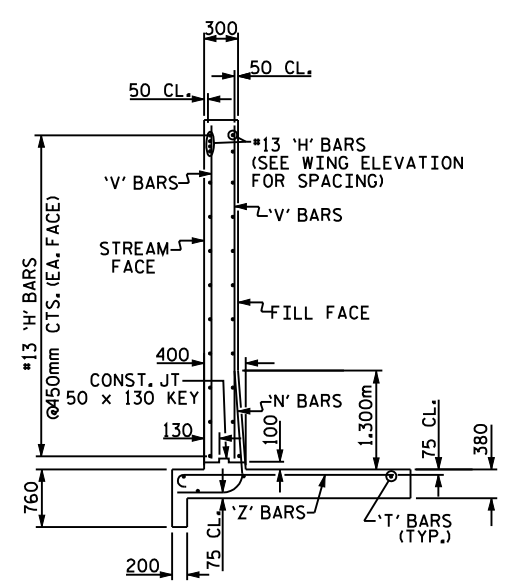
REINFORCING STEEL FOR 4 WINGS	2705 kg
CLASS A CONCRETE	
4 WINGS	60.4 m <sup>3</sup>
2 HEADWALLS	m <sup>3</sup>
2 END CURTAIN WALLS	m <sup>3</sup>
TOTAL	m <sup>3</sup>



ELEVATION W2



ELEVATION W1



TYPICAL WING SECTION

PROJECT NO. \_\_\_\_\_  
 \_\_\_\_\_ COUNTY  
 STATION: \_\_\_\_\_  
 SHEET OF \_\_\_\_\_  
 STATE OF NORTH CAROLINA  
 DEPARTMENT OF TRANSPORTATION  
 RALEIGH  
 STANDARD WINGS  
 FOR  
 CONCRETE BOX CULVERT  
 H = 4.300m SLOPE = 2:1  
 60° OR 120° SKEW

ASSEMBLED BY :	DATE :
CHECKED BY :	DATE :
DRAWN BY : FPP 07/97	
CHECKED BY : VAP 07/97	

FOR WING ORIENTATION, SEE BARREL STANDARD SHEET.

NO.	BY:	DATE:	NO.	BY:	DATE:	SHEET NO.
1			3			TOTAL SHEETS
2			4			